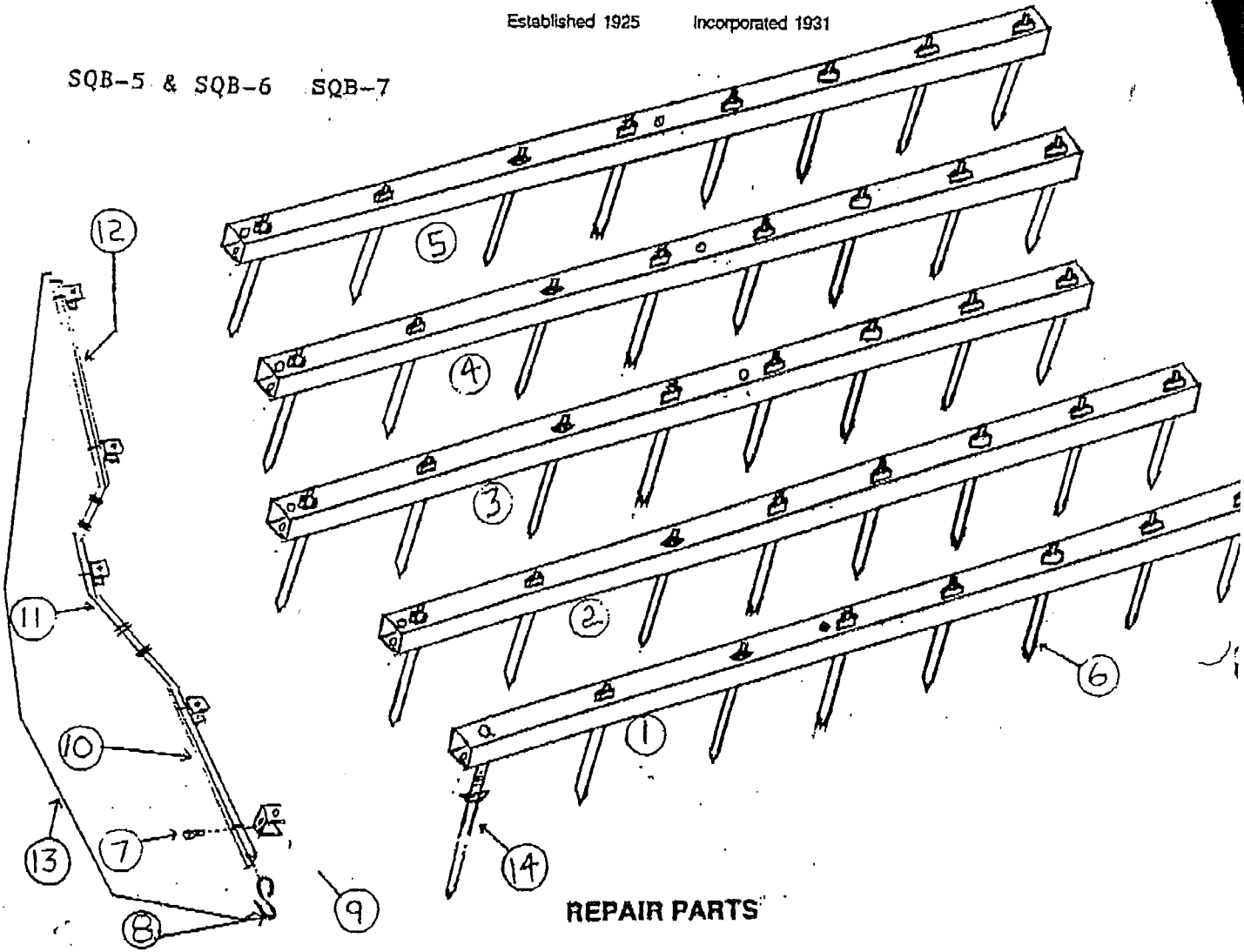


PEPIN FARM IMPLEMENTS

P.O. BOX 158 PEPIN, WISCONSIN 54759
 TELEPHONE (715) 442-4111 OR 1-800-637-3746

Established 1925 Incorporated 1931

SQB-5 & SQB-6 SQB-7



REPAIR PARTS

Item	Description	Model and Part Number		
1.	#1 Bar	SQB-5-1	SQB-6-1	SQB-7-1
2.	#2 Bar	SQB-5-2	SQB-6-2	SQB-7-2
3.	#3 Bar	SQB-5-3	SQB-6-3	SQB-7-3
4.	#4 Bar	SQB-5-4	SQB-6-4	SQB-7-4
5.	#5 Bar	SQB-5-5	SQB-6-5	SQB-7-5
6.	1/2 x 2 1/2 Tooth	370-006R	370-006R	370-006R
7.	Rivet, side rail P-54	100-206	100-206	100-206
8.	Drawhook	C5-12	C5-12	C5-12
9.	End Clip	SQB-5-6	SQB-5-6	SQB-7-6
10.	Front side rail pc.	SQB-5-7	SQB-5-7	SQB-7-7
11.	Center side rail pc.	SQB-5-8	SQB-5-8	SQB-7-8
12.	Rear side rail pc.	SQB-5-9	SQB-5-9	SQB-7-9
13.	RH Side rail CPT	SQB-5-10	SQB-6-6	SQB-7-6
14.	1/2 x 3 1/8 Tooth	370-007R	370-007R	370-007R
15.	LH Side rail CPT	SQB-5-11	SQB-6-7	SQB-7-7

(Not shown.)

NORTHERN WISCONSIN MANUFACTURING CO.

FAX 715 442 4124

*W
my*